

**GLENSOUND
ELECTRONICS LTD**

GS-TBMM001

**TALKBACK MONITOR
MIXER SUBRACK**

PRODUCT DETAILS

6 BROOKS PLACE, MAIDSTONE, KENT, ME14 1HE. ENGLAND.
Visit our Website at www.glen-sound.co.uk

TEL: +44 (0) 1622 753020
+44 (0) 1622 753662
FAX: +44 (0) 1622 762330

GLENSOUND ELECTRONICS LTD

GS-TBMM001

TALKBACK MONITOR MIXER

HANDBOOK CONTENTS

DATE 25/10/07

WP06-366

ISSUE No. 1

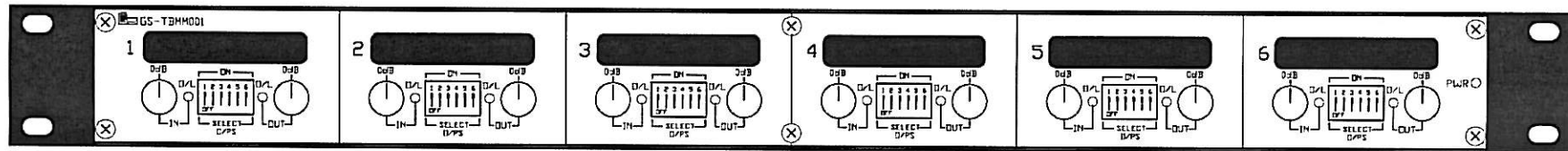
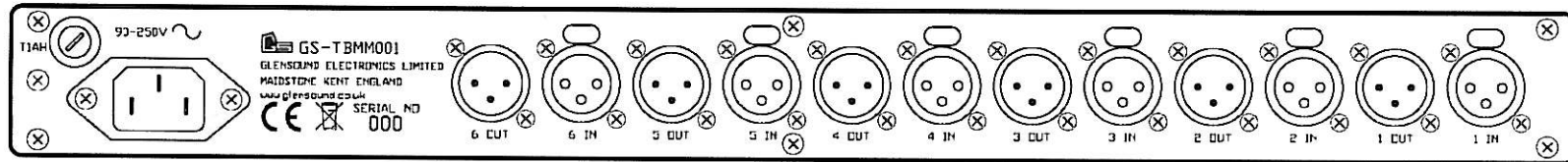
	DESCRIPTION	DRAWING No.
1.	GS-TBMM001 Panel Views	A2-15980
2.	GS-TBMM001 Block Diagram	A4-15998
3.	GSU83 Inputs Circuit Diagram	A4-16000
4.	GSU83 Outputs Circuit Diagram	A4-16002
5.	GSU83 Pic Circuit Diagram	A4-16004
6.	GSU84 Select & Mix Circuit Diagram	A2-16006




GLENSOUND ELECTRONICS LTD.
6 BROOKS PLACE, MAIDSTONE, KENT, ME14 1HE, ENGLAND

Tel: +44 (0) 1622 753020
+44 (0) 1622 753662
Fax: +44 (0) 1622 762330

REAR VIEW

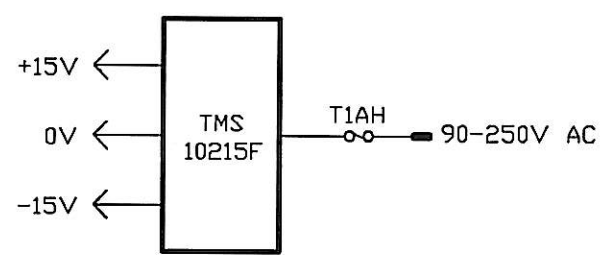
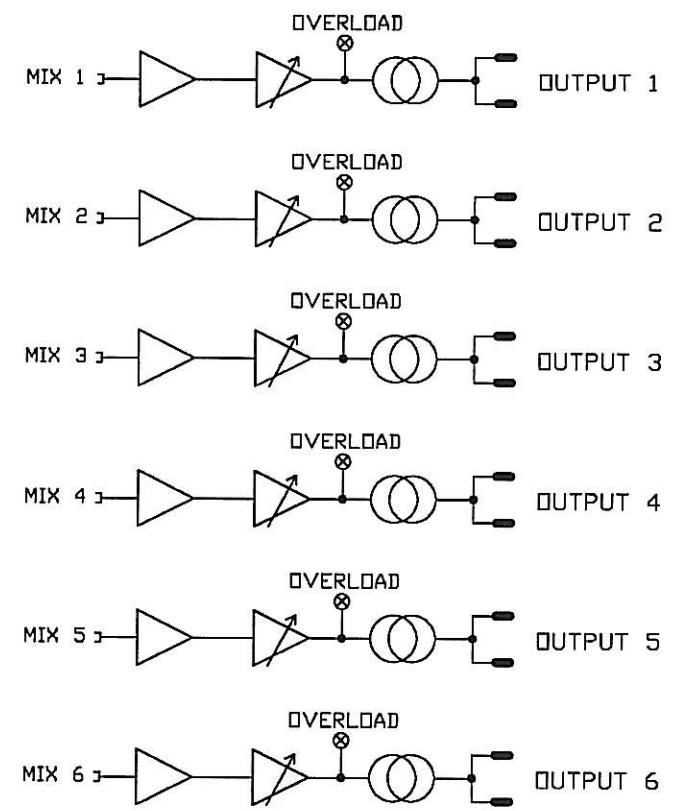
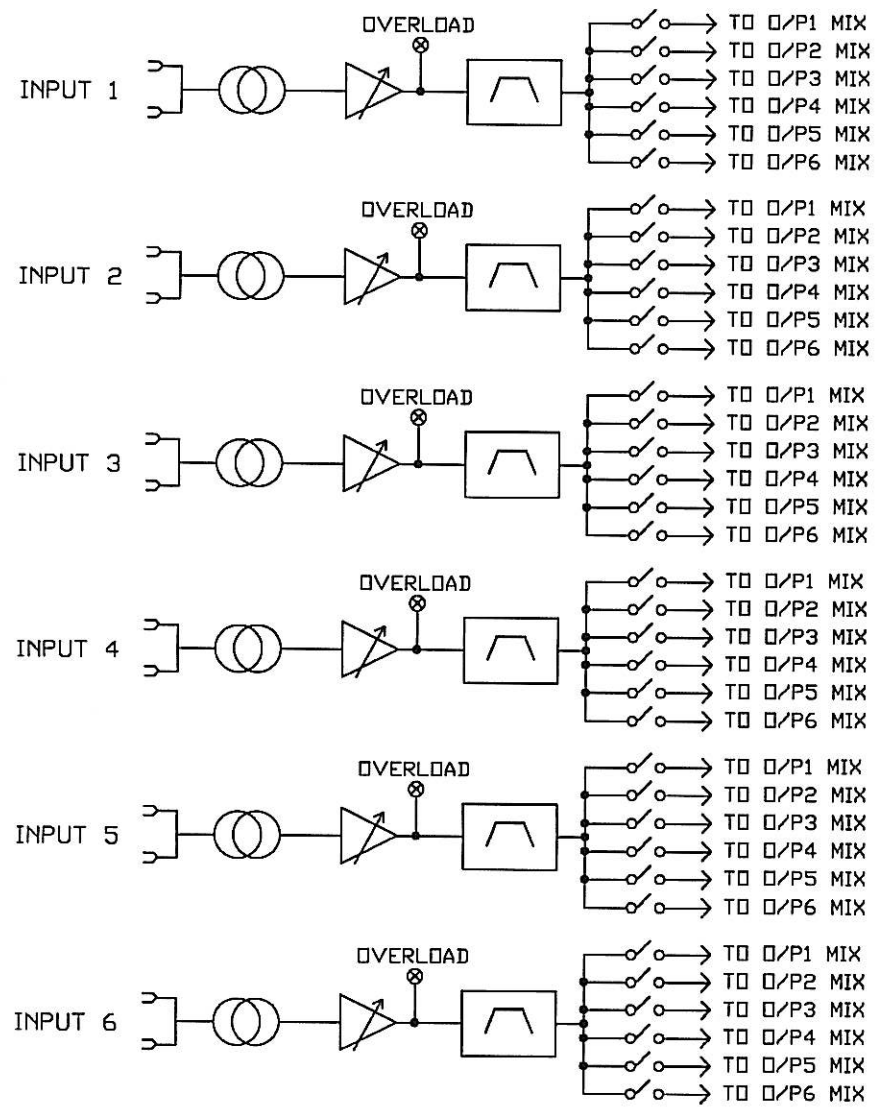


FRONT VIEW


 © 2007
GLENSOUND
 ELECTRONICS LTD

GS-TBMM001
 PANEL VIEWS

ISSUE	DATE	DRAWING NUMBER
1	05/10/07	A2-15980
		DRAWN BY CJH
		ORIGINALLY DRAWN USING AUTOTRAX



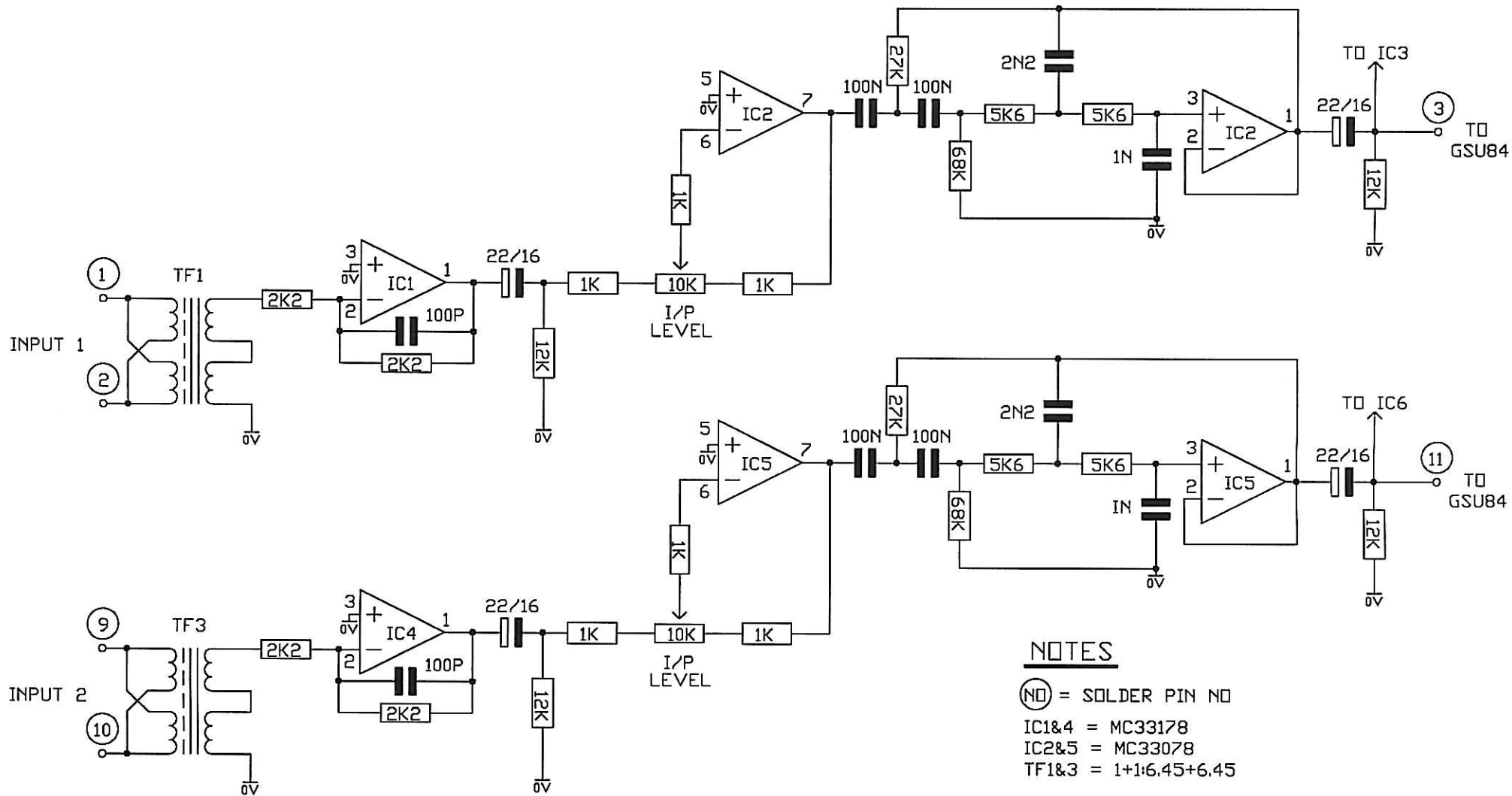
ISSUE	DATE
1	10/10/07

TALKBACK MONITOR
 MIXER BLOCK
 DIAGRAM

DRAWING NUMBER

A4-15998

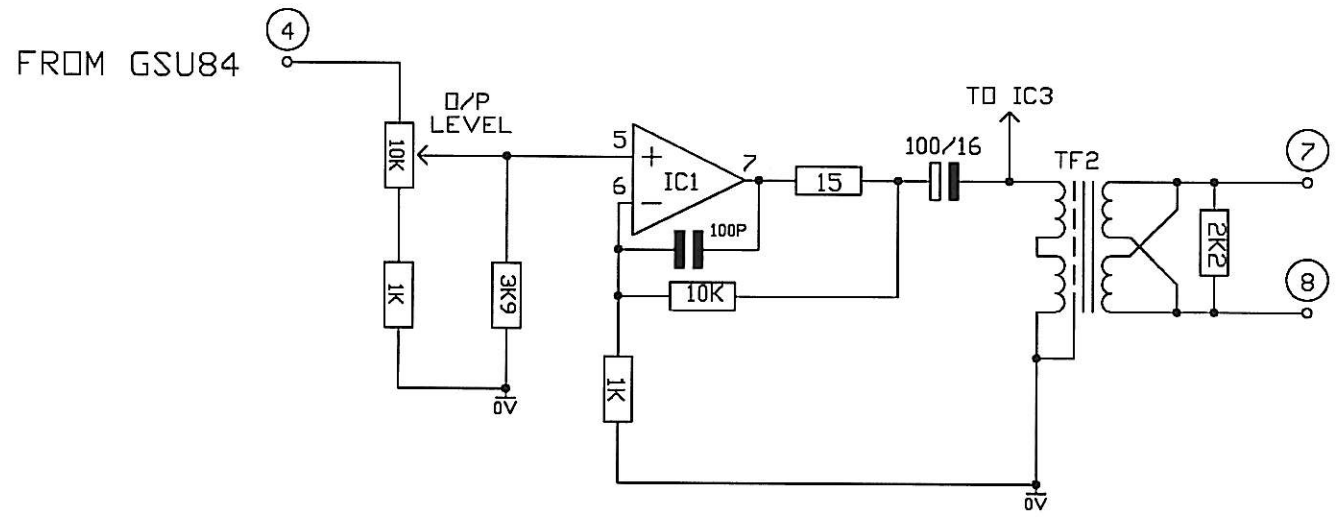
DRAWN BY CJH
 ORIGINALLY DRAWN USING AUTOTRAX



NOTES

- (NO) = SOLDER PIN NO
- IC1&4 = MC33178
- IC2&5 = MC33078
- TF1&3 = 1+1:6.45+6.45

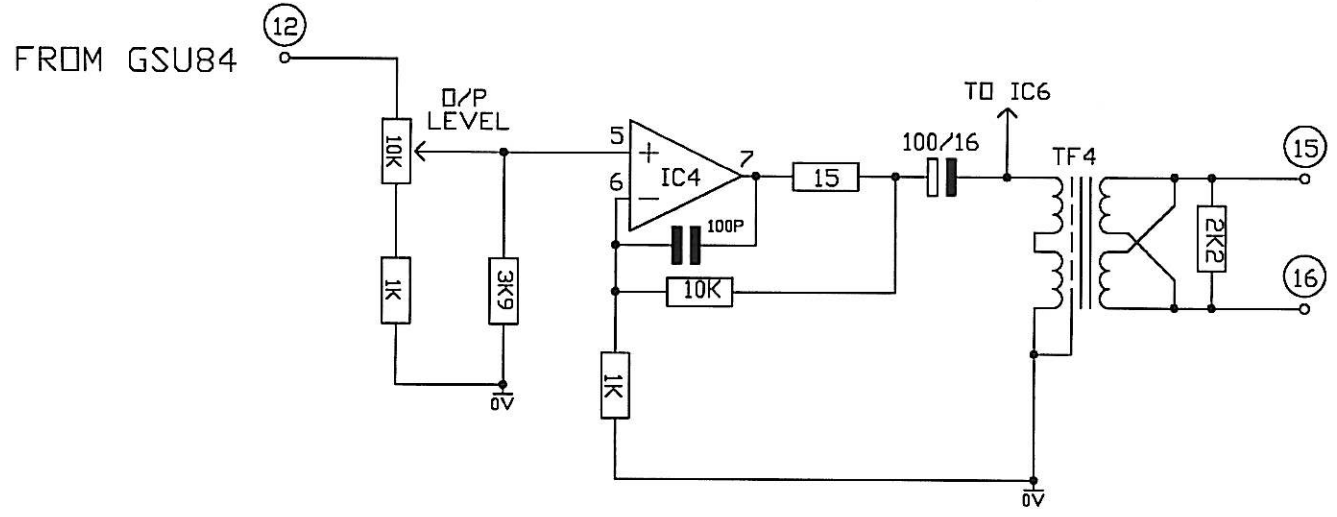
ISSUE	DATE	DRAWING NUMBER
1	12/10/07	A4-16000
		ORIGINALLY DRAWN USING AUTOTRAX



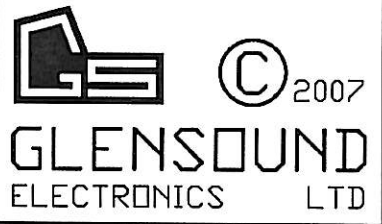
OUTPUT 1

NOTES

- (NO) = SOLDER PIN NO
- IC1&4 = IC33178
- TF2&4 = 1+1:2+2

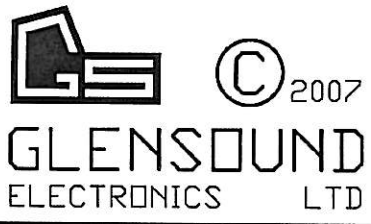
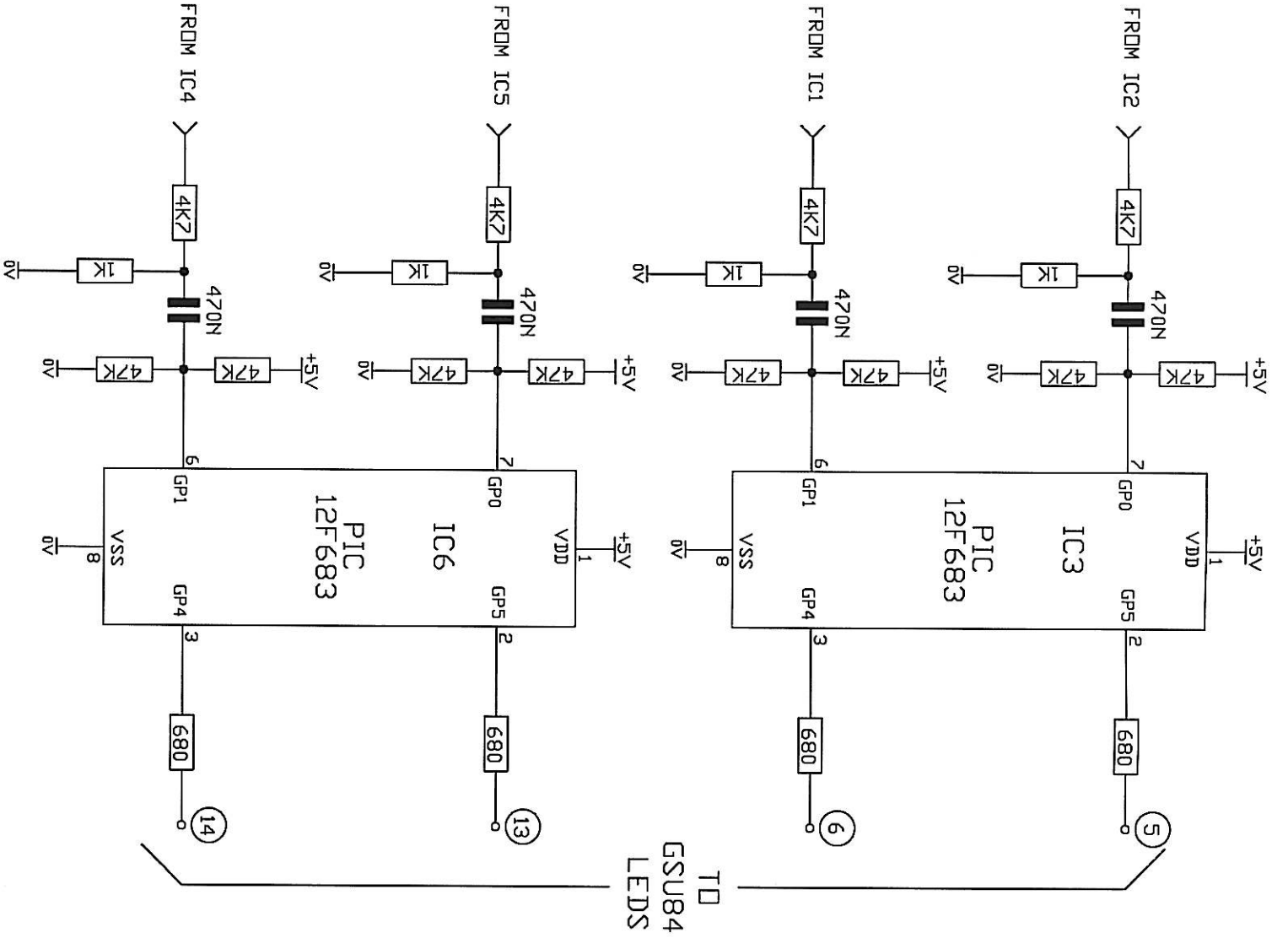


OUTPUT 2



GSU83 OUTPUTS
CIRCUIT DIAGRAM

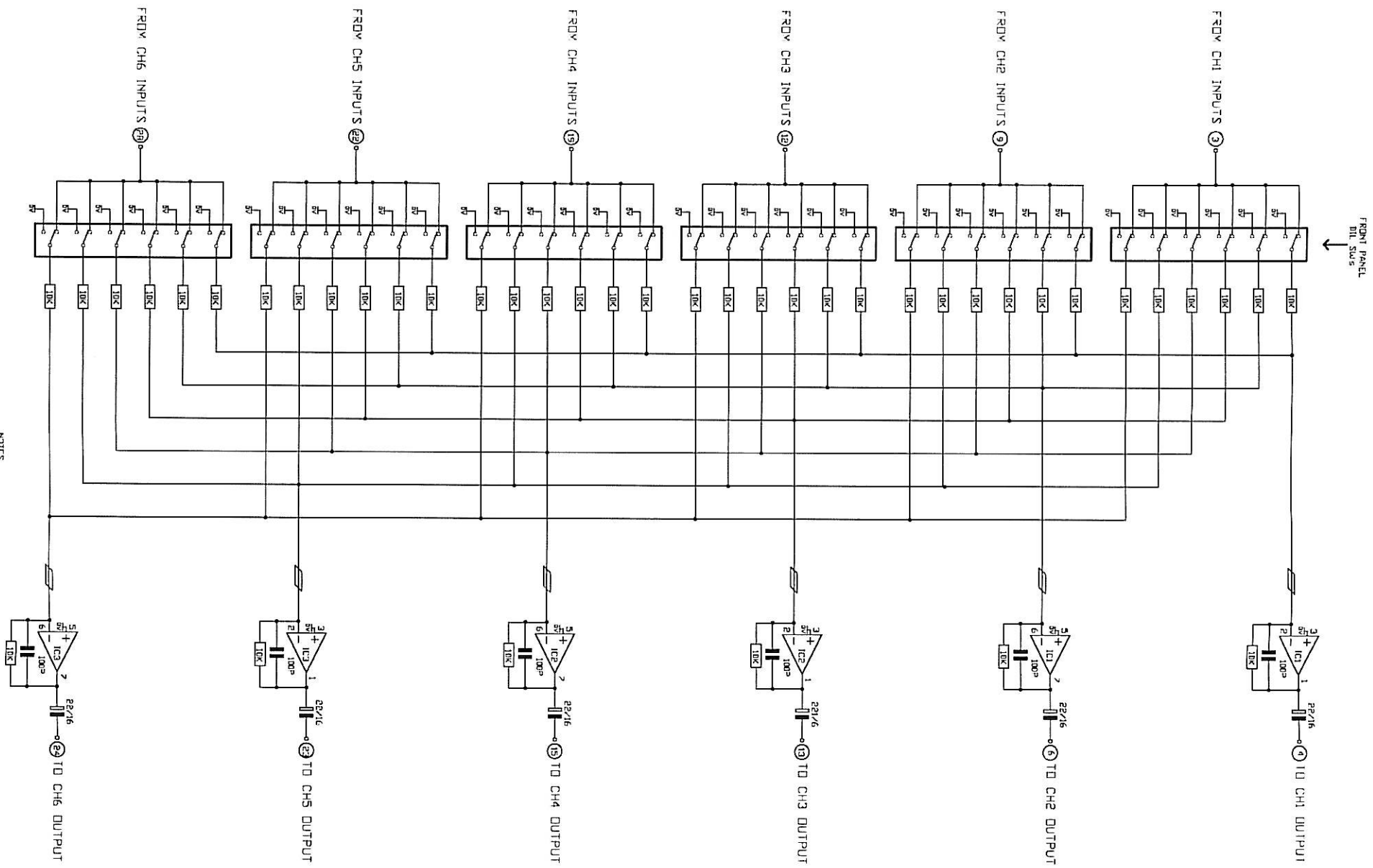
ISSUE	DATE	DRAWING NUMBER
1	12/10/07	A4-16002
		ORIGINALLY DRAWN USING AUTOTRAX



GSU83 PIC
 CIRCUIT DIAGRAM

ISSUE	DATE	DRAWING NUMBER
1	12/10/07	A4-16004

ORIGINALLY DRAWN USING AUTOTRAX



NOTES
 (M) = SOLDER PIN M3
 IC1-IC3 = MC3307B
 DIL SW'S = FARNELL 492-792

ISSUE	DATE	DRAWING NUMBER
1	12/10/07	A2-16006
		DRAWN BY CJH
		ORIGINALLY DRAWN USING AUTOTRAX